

Parts Lists

Parts List Index

PL 1.1 Covers (1 of 2)	7-2	PL 9.1 Frame and Size Sensor	7-22
PL 1.2 Covers (2 of 2)	7-4	PL 10.1 Electrical	7-24
PL 2.1 Tray 1 (1 of 2)	7-6	PL 11.1 550-Sheet Feeder (1 of 2)	7-26
PL 2.2 Tray 1 (2 of 2)	7-8	PL 11.2 550-Sheet Feeder (2 of 2)	7-28
PL 3.1 Paper Feeder	7-10	PL 12.1 Envelope Feeder (1 of 2)	7-30
PL 4.1 MPT Chute	7-12	PL 12.2 Envelope Feeder (2 of 2)	7-32
PL 5.1 Paper Handler Assembly	7-14	PL 13.1 Duplex (1 of 2)	7-34
PL 6.1 Chute Transport and Fuser	7-16	PL 13.2 Duplex (2 of 2)	7-36
PL 7.1 Exit	7-18	PL 14.1 Stacker (1 of 2)	7-38
PL 8.1 Drive and Xerographics	7-20	PL 14.2 Stacker (2 of 2)	7-40

Using the Parts Lists

The Parts Lists section provides exploded view illustrations of all spared subsystem components and a listing of the corresponding part numbers. The illustrations show the relationships between parts.

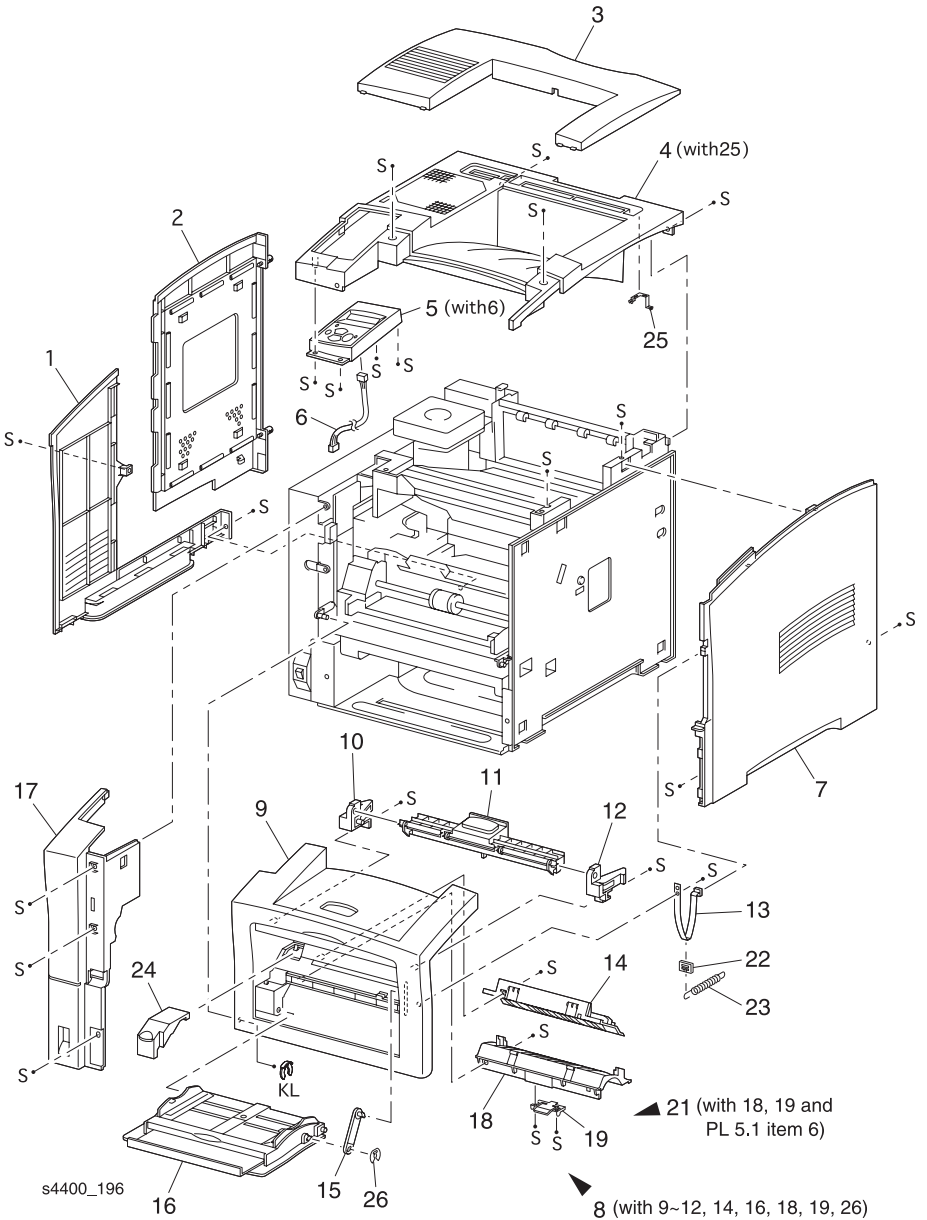
- Each callout number in an illustration corresponds to an item number in the parts list for that illustration.
- The capital letters “C”, “E”, “KL”, and “S”, that appear in some illustrations stand for C-ring, E-ring, KL clip, and Screw, respectively.
- A shaded triangle in an illustration indicates the item is part of an assembly.
- A notation such as “1 (with 2~4),” means part 1 consists of parts 2, 3, and 4.
- An asterisk * following a part name indicates the page contains a note about this part.
- The notation “J1\diamondJ2 and P2” is attached to a wire harness. It indicates that connector jack 1 is attached to one end of the wire harness and connector jack 2 is attached to the other end that is plugged into plug 2.
- The following abbreviations are used in the parts lists text and illustrations:
 - P/J — Plug/Jack
 - P/O — Part of
 - W/ — With
 - W/O — Without

Covers (1 of 2)

PL 1.1 Covers (1 of 2)

Item	Part	Description
1	48E64591	Left Cover
2	802K11331	Left Interface Cover
3	48E64642	Option Cover
4	48K76455	Top Cover Assembly
5	101K38280	Front Panel Assembly
6	962K09691	Front Panel Harness Assembly
7	48E64612	Right Cover
8	802K36773	Front Cover Assembly (with 9-12, 14-16, 18, 19, 26)
9	-----	Front Cover (P/O item 8)
10	-----	Left Latch Assembly (P/O item 8)
11	-----	Lever (P/O item 8)
12	-----	Right Latch Assembly (P/O item 8)
13	3E48991	Cover Stopper
14	-----	Envelope Chute
15	3E43880	Tray Stopper
16	50K47271	MPT Tray Assembly
17	802K44310	Left Front Cover
18	-----	MPT Chute (P/O item 21)
19	-----	MPT Cleaning Pad Assy. (P/O item 21)
20	Not used	Not used
21	604K04790	MPT Cleaning Kit (with 18, 19, and PL 4.1 item 5)
22	-----	Spring joint
23	-----	Front cover spring
24	-----	Env gear cover
25	-----	Exit 2 grounding spring
26	-----	Clip
KL	354W24254	KL Clip
S	600K79660	Hardware Kit (Includes Screw)

PL 1.1 Covers (1 of 2) — Exploded View

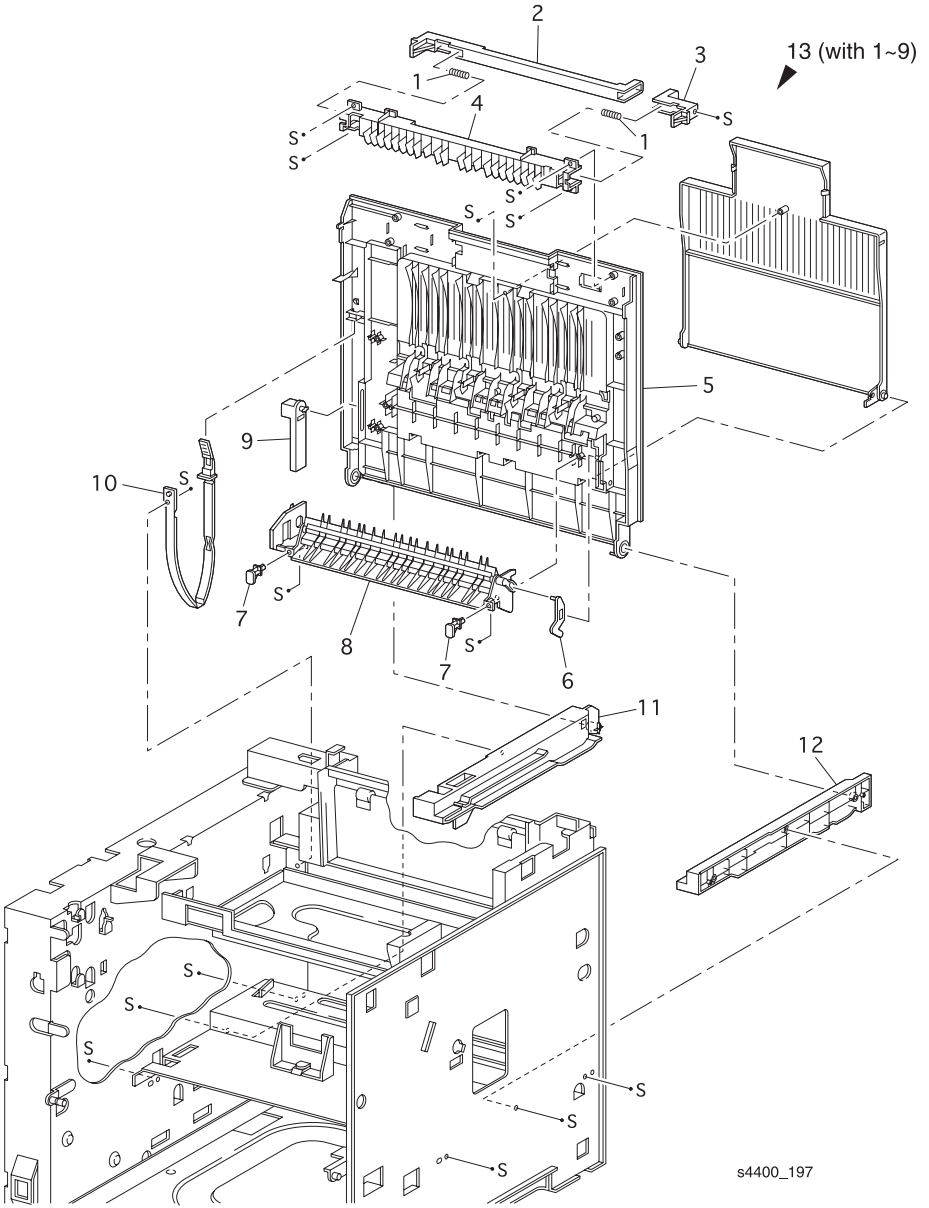


Covers (2 of 2)

PL 1.2 Covers (2 of 2)

Item	Part	Description
1	-----	Latch Spring
2	-----	Left Latch
3	-----	Right Latch
4	-----	Latch Cover
5	-----	Rear Cover
6	-----	Direction Arm
7	600K83121	Cap Kit (quantity 2)
8	54K14992	Face Up Chute Assembly
9	-----	Right Pivot Stopper
10	3E46120	Stopper
11	32E12671	Duplex Guide Rail-Left
12	32E12681	Duplex Guide Rail-Right
13	802K10013	Rear Cover Assembly (with 1-9)
S	600K79660	Hardware Kit (Includes Screw)

PL 1.2 Covers (2 of 2) — Exploded View



Paper Tray 1

PL 2.1 Tray 1 (1 of 2)

Item	Part	Description
1	109R00448	Cassette Assembly (with 2-20 and PL 2.2)
2	-----	Bottom Plate Assembly
3	-----	End Guide Assembly
4	-----	Extension Housing
5	-----	Rack Slide
6	-----	Extension Spring
7	-----	Latch Spring
8	-----	Size Plate
9	-----	Base Extension
10	-----	Left Side Guide Assembly
11	-----	Right Side Guide Assembly
12	-----	Link
13	-----	Tray 1 Base
14	-----	Rack
15	-----	Pinion
16	-----	Cassette Sub-Assembly (PL 2.2)
17	-----	Tray 1 Actuator
18	-----	Actuator Cover
S	600K79660	Hardware Kit (Includes Screw)

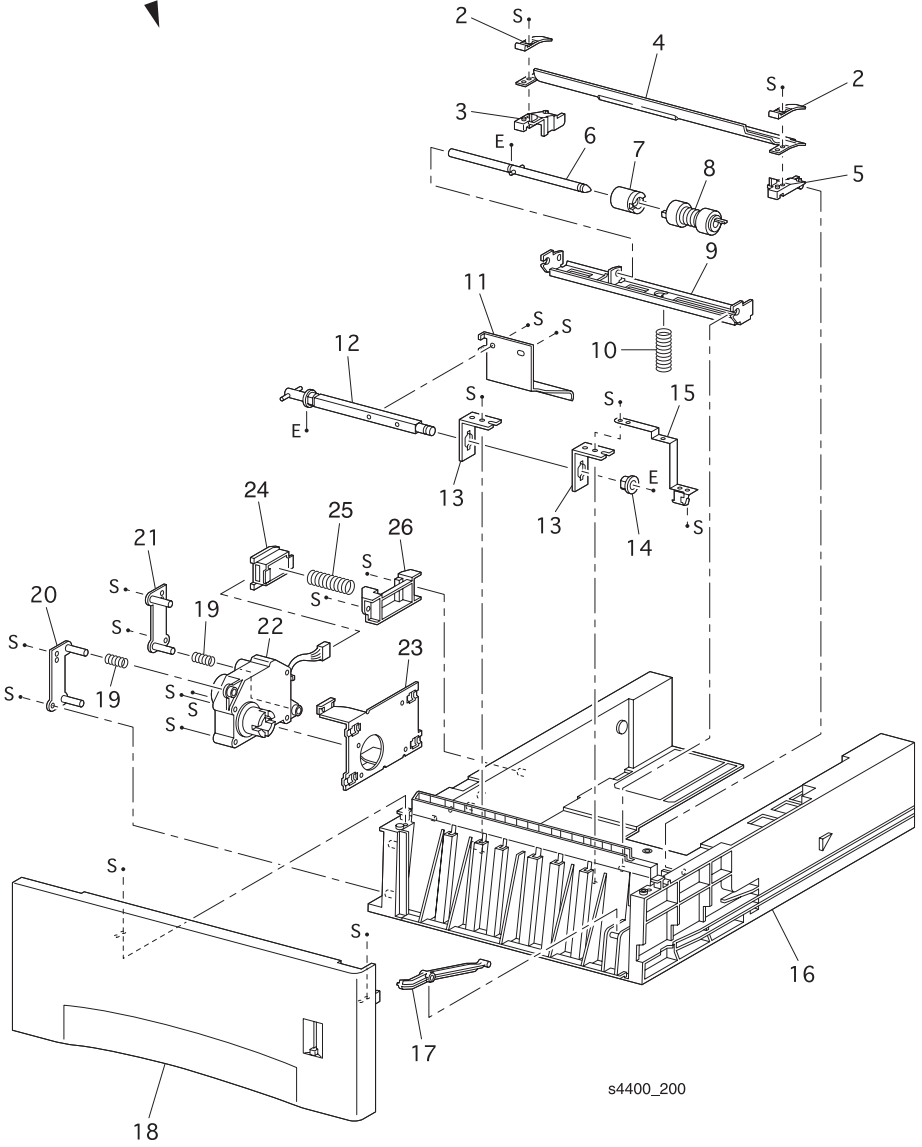
Paper Cassette 2

PL 2.2 Tray 1 (2 of 2)

Item	Part	Description
1	-----	Cassette Assembly (with 2-27) (P/O PL 2.1 Item 1)
2	-----	Retard Cap
3	-----	Retard Chute Base - Left
4	-----	Retard Chute
5	-----	Retard Chute Base - Right
6	-----	Retard Shaft Assembly
7	5K82890	Friction Clutch Assembly
8	600K79550	Roller Assembly Kit
9	-----	Retard Bracket
10	809E11830	Retard Spring
11	-----	Tongue Plate
12	-----	Tongue Shaft Assembly
13	-----	Lift Up Shaft Holder
14	-----	Bearing
15	-----	Lift Up Ground Spring
16	-----	Cassette Housing
17	-----	Lever
18	-----	Cassette Handle Assembly
19	-----	Motor Spring
20	-----	Right Holder
21	-----	Left Holder
22	127K24682	Motor Assembly
23	-----	Motor Holder Assembly
24	114E11680	Connector
25	-----	Spring
26	-----	Socket Guide
S		Hardware Kit (Includes Screw)

PL 2.2 Tray 1 (2 of 2) — Exploded View

1 (with 2~27) [P/O PL 2.1, item 1]



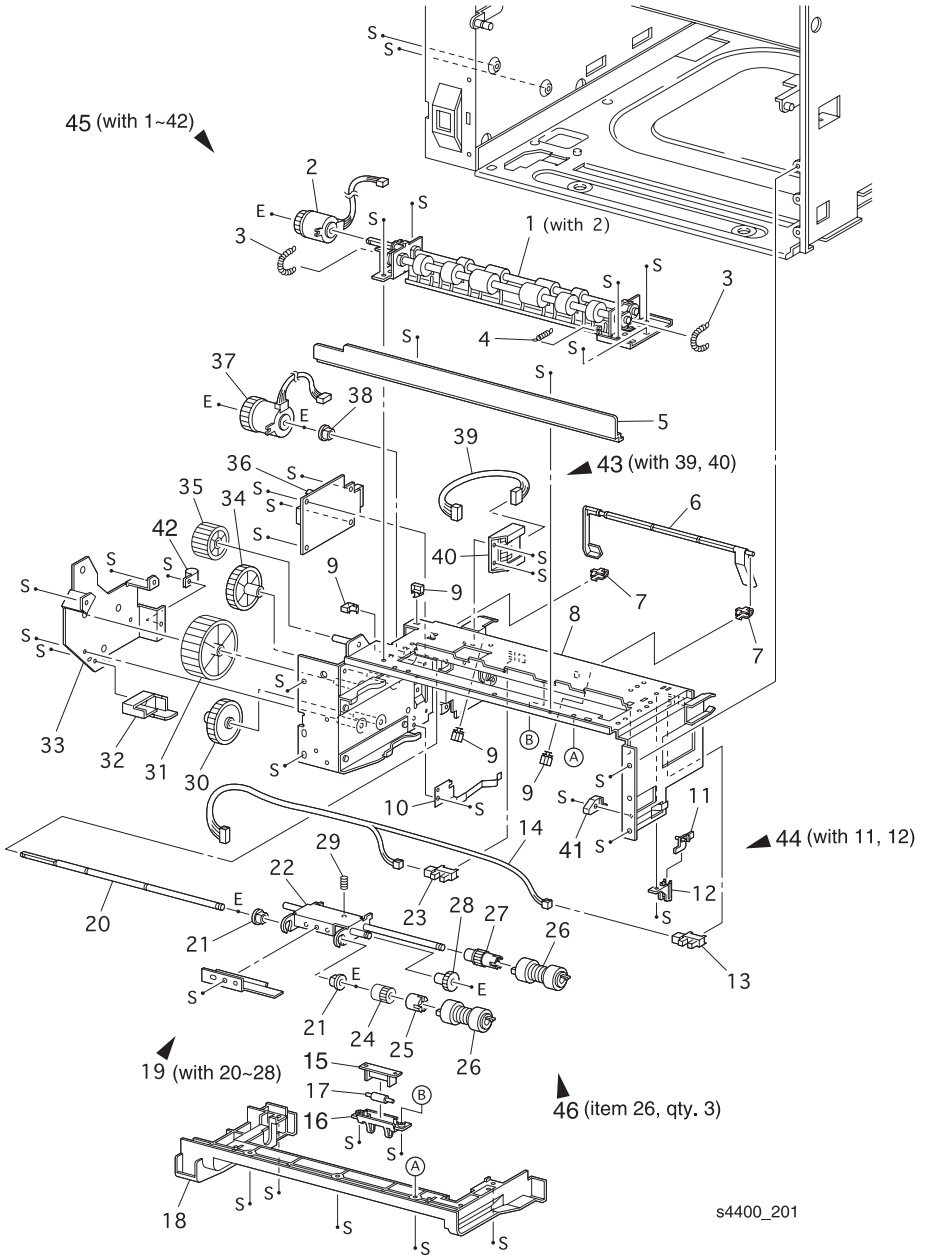
s4400_200

Paper Feeder

PL 3.1 Paper Feeder

Item	Part	Description	Item	Part	Description
1	22K51531	Turn Roller Assembly (with 2)	25	-----	O/W Clutch Assembly(P/O item 19)
2	121K20151	Turn Clutch Assembly	26	-----	Roller Assembly (P/O item 48)
3	-----	Extension Spring	27	-----	Gear 25T (P/O item 19)
4	809E11630	Chute Spring	28	-----	Gear 31T (P/O item 19)
5	-----	Feed CST Cover	29	809E11610	Nudger Spring
6	120E16960	No Paper Actuator	30	-----	Gear 4
7	830E18132	Actuator Support	31	-----	Gear 2
8	-----	Feeder Frame Assembly	32	-----	Gear Cover
9	-----	Clamp	33	-----	Bracket
10	-----	Left Latch Spring	34	-----	Gear 3
11	-----	Low Paper Actuator (P/O item 46)	35	-----	Gear 1
12	-----	Low Paper Actuator Support (P/O item 46)	36	160K52781	Feeder PWB
13	130E81970	Low Paper Sensor	37	121K19010	Feed Clutch Assembly
14	162K47211	No Paper Sensor Harness Assy.	38	-----	Bearing
15	-----	Roller 7 support	39	-----	N/MOT Harness Assembly
16	-----	Turn Chute	40	-----	Socket
17	-----	Roller 7	41	-----	CST Stopper
18	-----	Feeder Cover	42	-----	Clamp
19	600K79320	Feed Head Assembly (with 20-28)	43	600K79640	Socket & Harness Kit (with 39, 40)
20	-----	Feed Shaft (P/O item 19)	44	600K79652	Actuator & Support Kit (with 11, 12)
21	-----	Bearing (P/O item 19)	45	22K56902	Feeder Assembly 1 Kit (with 1-42)
22	-----	Nudger Support Assembly (P/O item 19)	46	600K79550	Feed Roller Kit (item 26-quantity 3)
23	130E81970	Stack Height Sensor (P/O item 19)	S	600K79660	Hardware Kit (includes screw)
24	-----	Gear Clutch (P/O item 19)			

PL 3.1 Paper Feeder — Exploded View



s4400_201

MPT Chute

PL 4.1 MPT Chute

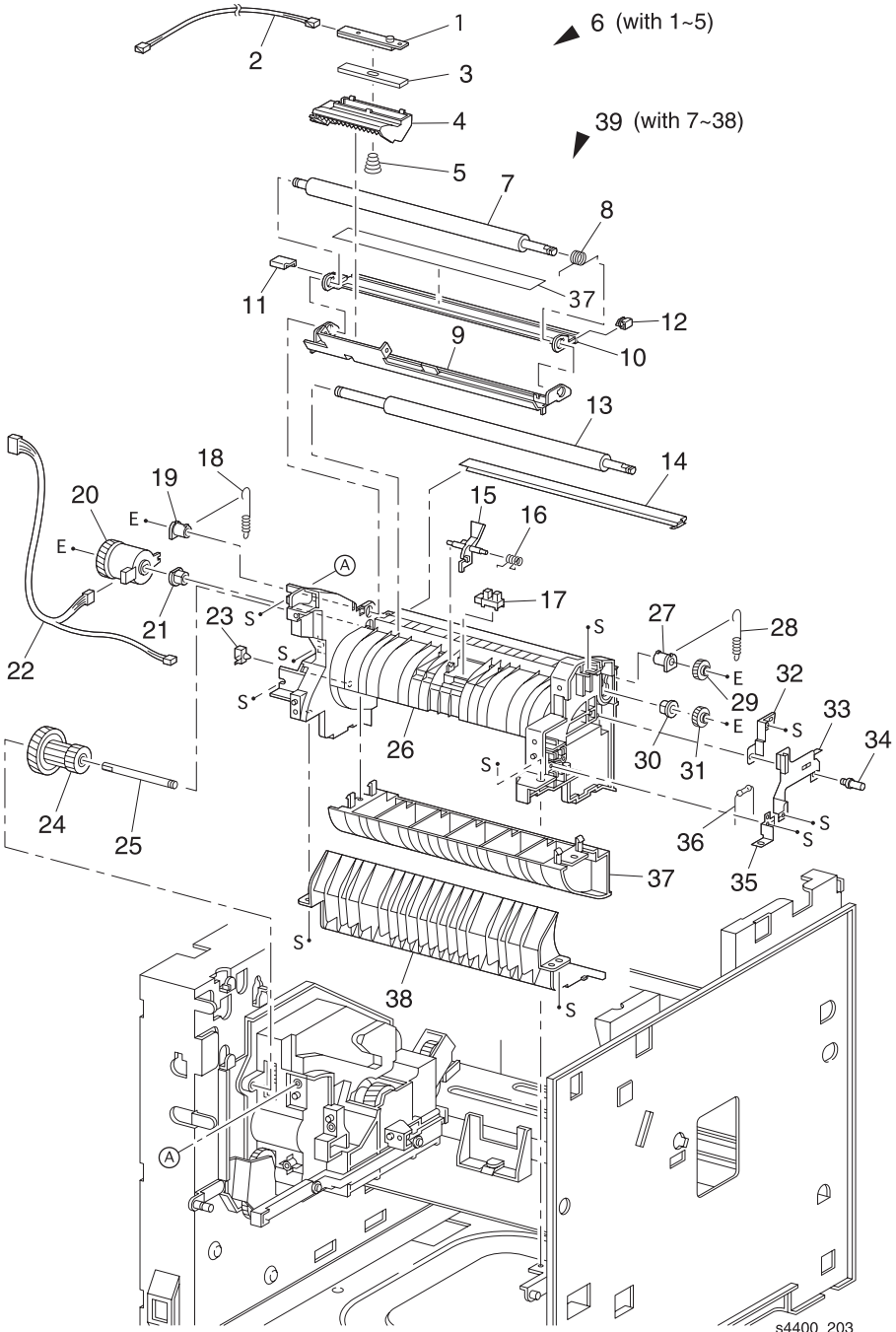
Item	Part	Description
1	54K22391	MPT Chute Assembly (with 2-24)
2	-----	MPT Shaft Assembly
3	-----	MPT Pick-up CAM
4	-----	Core
5	22K50815	MPT Roller Assembly
6	-----	MPT (Left) Cam Pick-up
7	-----	Guide Roller
8	-----	Bearing
9	-----	Tray Bottom
10	120E17121	MPT No Paper Actuator
11	-----	MPT Bottom Spring Tray
12	-----	Exit Bearing
13	19K94573	Retard Pad Assembly
14	130E81970	Paper Set Sensor
15	-----	MPT Ground Plate
16	-----	MPT Chute Assembly
17	121E85920	Pick Up Solenoid
18	809E20171	MPT Spring
19	7E54661	Gear Pick Up
20	-----	Envelope Connector Plate
21	113K82141	Envelope Connector Assembly
22	162K47021	MPT No Paper Harness Assembly (J45-J451)
23	19K96830	Pick Up Pad Assembly
24	604K04790	MPT Cleaning Kit (with 5, and 18 and 19 from "PL 1.1 Covers (1 of 2)".)
S	600K79660	Hardware Kit (Includes Screw)

Paper Transport

PL 5.1 Paper Handler Assembly

Item	Part	Description	Item	Part	Description
1	-----	Toner Sensor	21	-----	Left Bearing
2	-----	Toner Sensor Harness Assembly (J42-J421)	22	162K47011	Registration Harness Assembly (J43-J431, J432)
3	-----	TNS Cushion	23	-----	Clamp
4	-----	Toner Sensor Holder	24	7E54650	Gear 14
5	-----	Toner Sensor Spring	25	6E60981	Shaft 14
6	600K79381	Toner Sensor Kit (with 1-5)	26	-----	Upper Chute Bottom
7	-----	Metal Registration Roller	27	-----	Right Bearing
8	-----	Torsion Spring	28	809E22950	Registration Spring - Right (Silver)
9	-----	Upper Chute Assembly	29	7E54671	Registration Gear (Metal roller)
10	-----	Chute Inlet	30	-----	Right Bearing
11	-----	Lever Handle	31	7E54681	Registration Gear (Rubber roller)
12	-----	Chute Inlet Cap	32	-----	Ground Spring - Right
13	59K11910	Rubber Registration Roller	33	-----	Ground Spring - Center
14	-----	Ground Spring - Bottom	34	-----	Ground Screw
15	120E13331	Registration Actuator	35	-----	Left Spring
16	809E19722	Registration Sensor Spring	36	-----	Baffle Resistor
17	130E81970	Registration Sensor	37	-----	Lower Chute Bottom
18	809E19030	Registration Spring Left (Gold)	38	-----	CST Chute
19	-----	Bearing	39	54K14986	Paper Handler Assembly (with 7-38)
20	121E85820	Registration Clutch	S	600K79660	Hardware Kit (Includes Screw)

PL 5.1 Paper Handler Assembly — Exploded View



Chute Transport and Fuser

PL 6.1 Chute Transport and Fuser

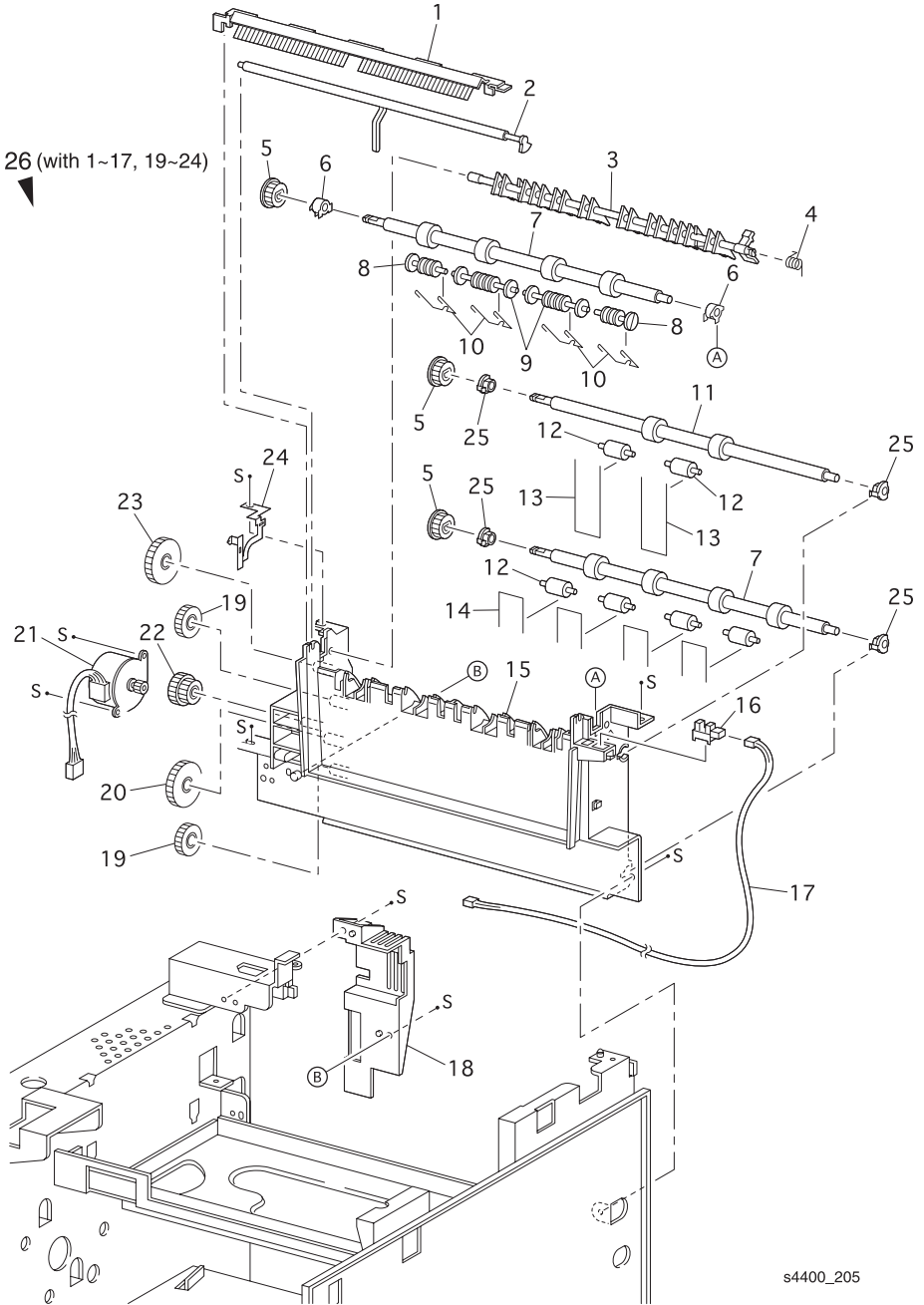
Item	Part	Description
1	22K55010	Transfer Roller Assembly
2	54K15000	Transfer Chute Assembly (with 3-5)
3	-----	Bearing Transfer Roller SUP
4	-----	Spring Transfer Roller
5	-----	Transport Chute
6	126K14933	Fuser Assembly (120 V) (with 10, 11)
	126K14942	Fuser Assembly (230 V) (with 10, 11)
7	-----	DTS Wire Assembly
8	-----	TR Wire Assembly
9	962K06300	Fuser Harness Assembly (120 V) (J271, J11, J27, J262)
	962K06310	Fuser Harness Assembly (230 V) (J271, J11, J27, J262)
10	802K10003	Fuser Upper Cover Assembly
11	126K08411	Heat Rod (120 V)
	126K09711	Heat Rod (230 V)
12	-----	Thumb Screw
13	108R00497	Maintenance Kit (120 V) (with Fuser, Transfer Roller, 9 Feed Rollers)
	108R00498	Maintenance Kit (230 V) (with Fuser, Transfer Roller, 9 Feed Rollers)
S	600K79660	Hardware Kit (Includes Screw)

Exit

PL 7.1 Exit

Item	Part	Description
1	105K14904	Static Eliminator Assembly
2	120E13350	Stack Full Actuator
3	-----	Exit Gate
4	-----	Exit Spring
5	-----	Exit Gear 17
6	-----	Exit Bearing (P/O item 25)
7	59K11950	MID-1-3 Roller Assembly
8	-----	Out Exit Pinch Roller
9	-----	Exit Pinch Roller
10	-----	Exit Pinch Spring
11	59K11960	MID-2 Roller Assembly
12	-----	Pinch Roller
13	-----	MID Pinch Spring
14	-----	Pinch Spring
15	-----	Exit Chute
16	130E81970	Exit Photo Sensor
17	162K46981	Stack Full Sensor Harness Assembly (J30-J301)
18	-----	Interlock Cover
19	-----	Exit Gear 23
20	-----	Exit Gear 33
21	127K35830	Exit Motor Assembly
22	-----	Exit Gear 17/47
23	-----	Exit Gear 32
24	-----	Exit Ground Spring
25	600K79540	Bearing Kit (quantity 6 of item 6)
26	54K15893	Exit Chute Assembly (with 1-17, 19-24)
S	600K79660	Hardware Kit (Includes Screw)

PL 7.1 Exit — Exploded View



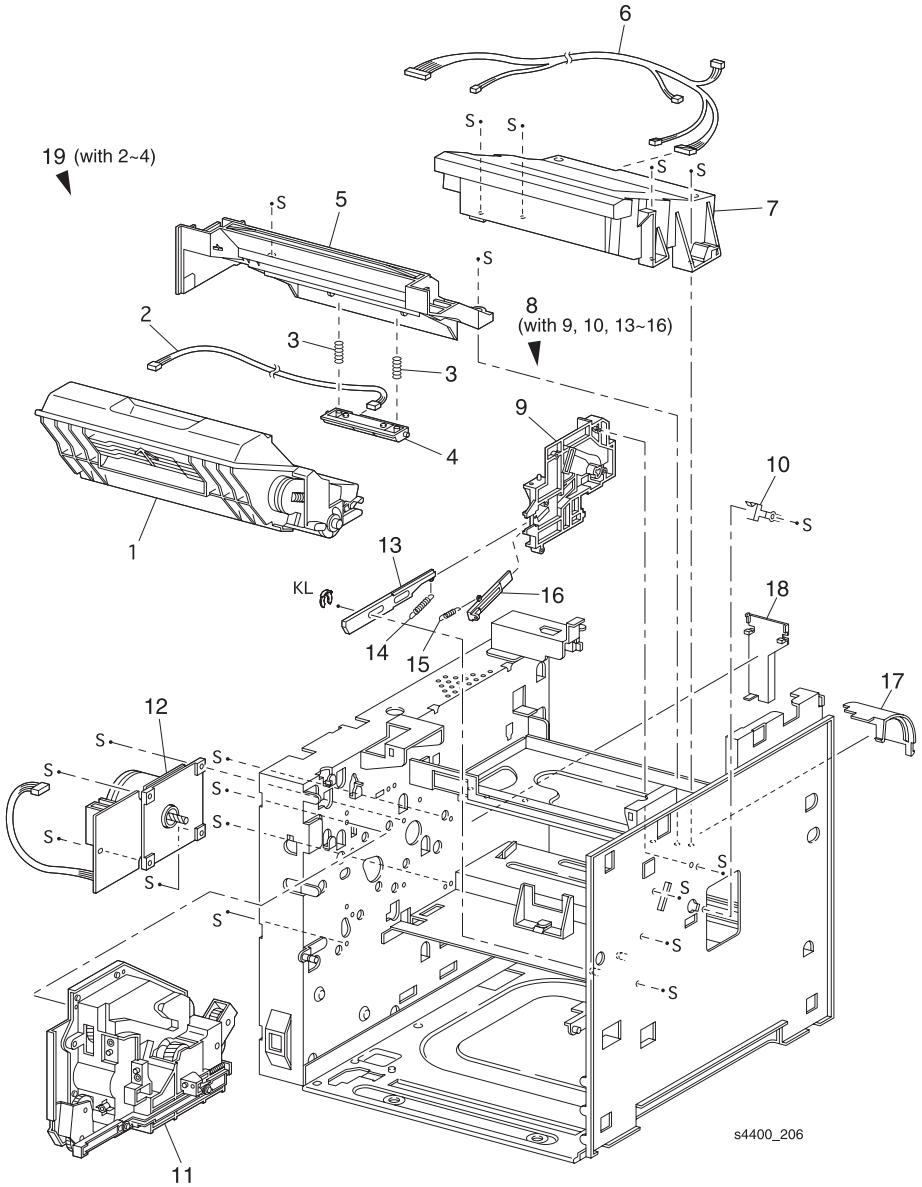
s4400_205

Drive and Xerographics

PL 8.1 Drive and Xerographics

Item	Part	Description
1	113R00627	Print Cartridge (10K)
	113R00628	Print Cartridge (15K)
2	-----	Print Cartridge Sensor Harness Assembly (J25-J251) (P/O item 19)
3	-----	Spring (P/O item 19)
4	-----	Print Cartridge Sensor Assembly (P/O item 19)
5	32K94111	Print Cartridge Top Guide Assembly
6	162K46922	Laser Harness Assembly (J21-J211, J212, J213)
7	62K11210	Laser Assembly
8	-----	Print Cartridge Side Guide Assembly-R (with 9, 10, 13-16)
9	-----	Print Cartridge Side Guide
10	-----	Spring Clip
11	7K87580	Drive Gear Assembly
12	127K35701	Main Motor Assembly
13	-----	Guide Arm A
14	-----	Guide Spring A
15	-----	Guide Spring B
16	-----	Guide Arm B
17	-----	ROS Duct
18	-----	Fuser Duct
19	32K03720	Print Cartridge Sensor Kit (with 2-4)
KL	354W24254	KL Clip
S	600K79660	Hardware Kit (Includes Screw)

PL 8.1 Drive and Xerographics — Exploded View

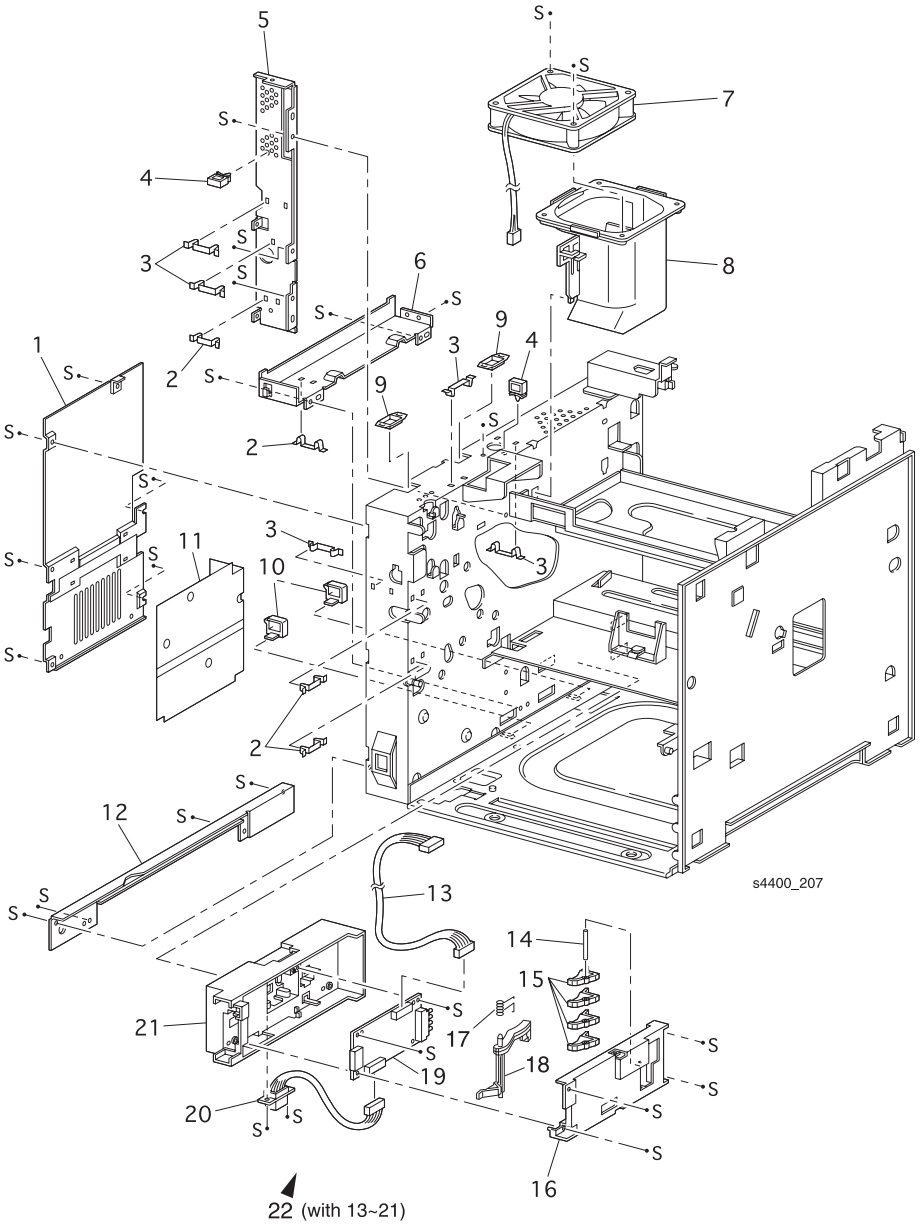


Frame and Size Sensor

PL 9.1 Frame and Size Sensor

Item	Part	Description
1	-----	Left Plate
2	-----	Clamp Press
3	-----	Left Clamp Press
4	-----	Interface Clamp
5	-----	Lower B Elec Box
6	-----	Lower A Elec Box
7	127E13840	Fan Assembly
8	-----	Duct
9	-----	Edge Saddle H
10	-----	AC Clamp
11	-----	Insulator Plate
12	-----	Plate Handle
13	162K47001	Feeder Harness Assembly (J33-J331)
14	-----	CAM Shaft
15	-----	Size Sensor Actuators
16	-----	Cover Size Sensor
17	-----	Spring CAM
18	-----	Lever CAM
19	160K52771	Tray 1 Size PWB
20	162K48420	Size Harness Assembly (J51-J52)
21	-----	Size Sensor Housing
22	802K09970	Size Sensor 1 Kit (with 13-21)
S	600K79660	Hardware Kit (Includes Screw)

PL 9.1 Frame and Size Sensor — Exploded View

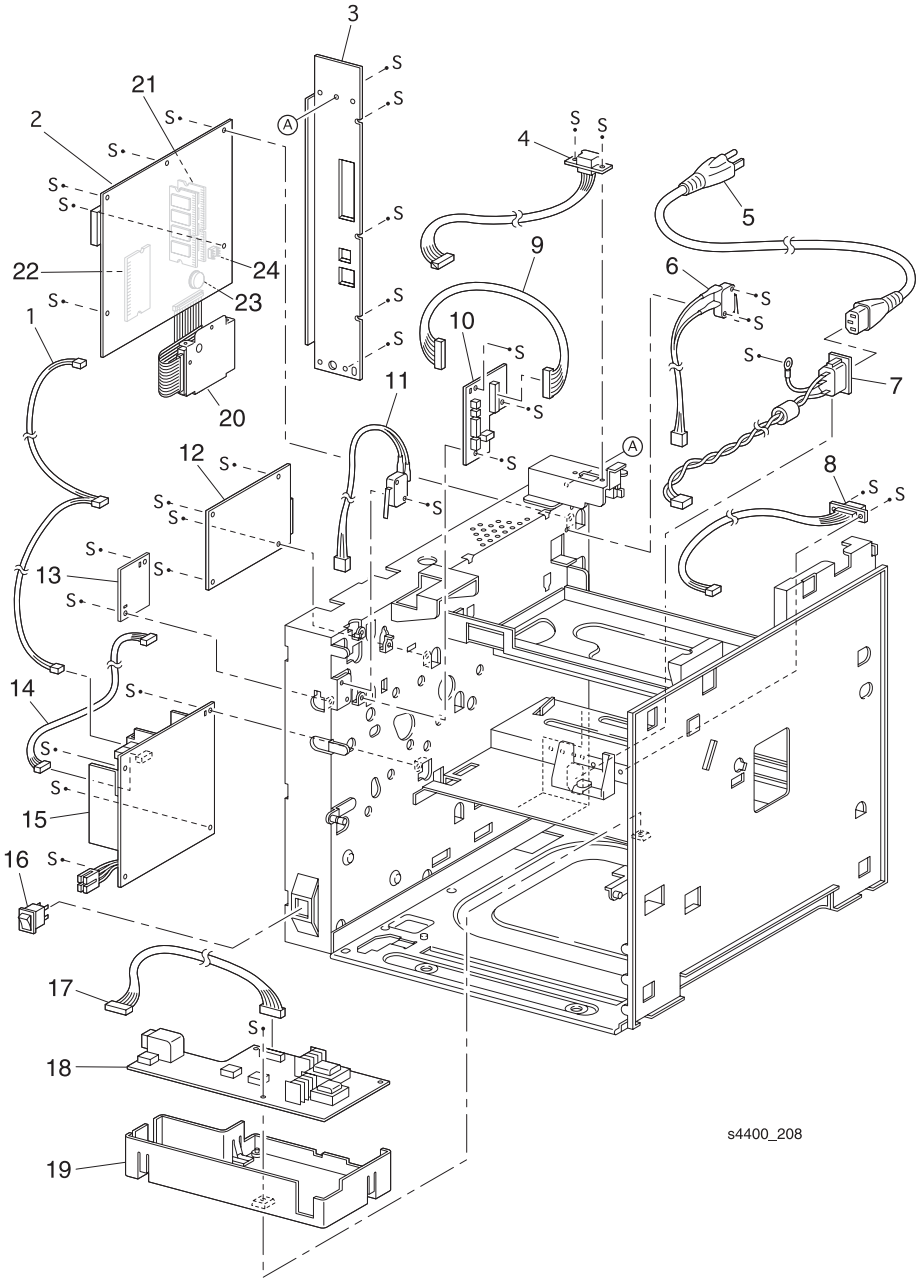


Electrical

PL 10.1 Electrical

Item	Part	Description	Item	Part	Description
1	162K47201	Image Processor Harness Assembly (J910-J282, J288)	18	105K19750	HVPS PWB
2	671-5270-00	Image Processor Board	19	-----	HVPS Housing
3	-----	Back Panel	20	650-4263-00	Hard Disk Drive
4	162K49271	Stacker Harness Assembly (J35-P351)		97S02917	20 MB Hard Drive Kit
5	-----	Power Cord	21	156-4850-00	32 MB DIMM
6	110K08571	Rear Interlock Switch Assembly		97S02923	32 MB DIMM Kit
7	-----	AC Wire Assembly (J285)		156-4838-00	64 MB DIMM ZMD64
8	162K46991	Duplex Harness Assembly (J34-P341)		97S02912	64 MB DIMM Kit
9	162K46941	Connector Harness Assembly (J23-J231)		156-4837-00	128 MB DIMM ZMD128
10	160K52761	Connector PWB		97S02913	128 MB DIMM Kit
11	110K08561	Front Interlock Switch Assembly	22	671-5274-00	16 MB Flash DIMM
12	160K85653	Engine Logic Board		97S02914	16 MB Flash DIMM Kit
13	105K15402	5 VDC PWB	23	98S04703	4400 Network Upgrade Kit
14	162K46972	LVPS Harness Assembly (J28-J218)		163-1485-00	Configuration Upgrade Chip (P/O item 23)
15	105K19850 105K19860	LVPS PWB (120V) LVPS PWB (230V)		163-1486-00	Base Configuration Chip
16	110E94430	Main Switch	24	163-1459-00	NVRAM
17	162K46962	HVPS Harness Assembly	S	600K79660	Hardware Kit (Includes Screw)

PL 10.1 Electrical — Exploded View



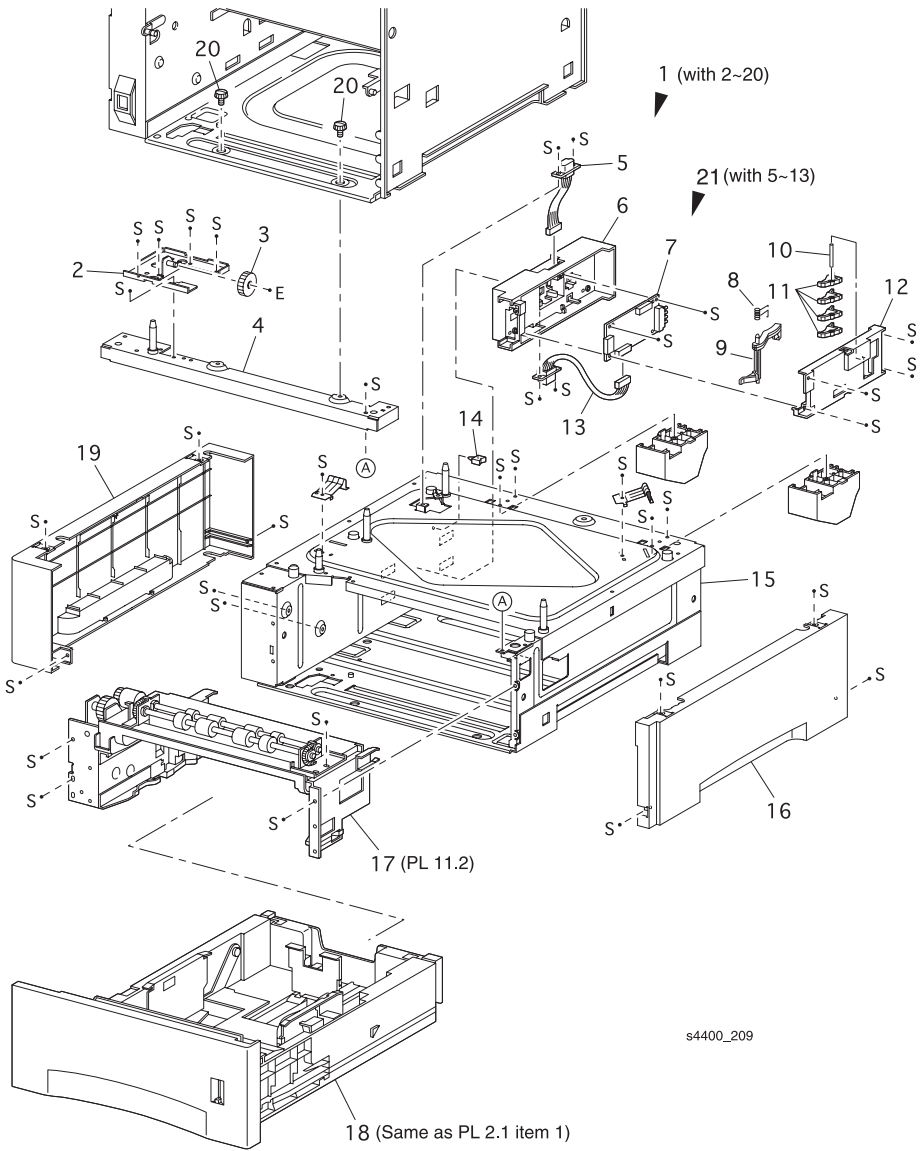
s4400_208

Optional Feeder 1

PL 11.1 550-Sheet Feeder (1 of 2)

Item	Part	Description
1	----	Option Feeder Assembly (with 2-20)
2	----	Gear OPT Bracket Assembly
3	7E54920	Gear OPT I
4	----	Top Plate
5	162K48431	Option Size Harness Assembly
6	----	Size Sensor Housing
7	160K53061	Size Option PWB
8	----	CAM Spring
9	----	CAM Lever
10	----	CAM Shaft
11	----	CAM SW
12	----	Cover Size Sensor
13	162K48420	Size Harness Assembly
14	----	Clamp
15	----	Main Frame Assembly
16	802E04931	Right Side Cover
17	22K56912	Feeder Assembly
18	109R00448	Cassette Assembly (Same as PL 2.1 item 1)
19	802E04920	Left Side Cover
20	600K79670	Screw Kit (quantity 3)
21	802K09980	Size Sensor Housing Assembly (with 5-13)
S	600K79660	Hardware Kit (Includes Screws)

PL 11.1 550-Sheet Feeder (1 of 2) — Exploded View



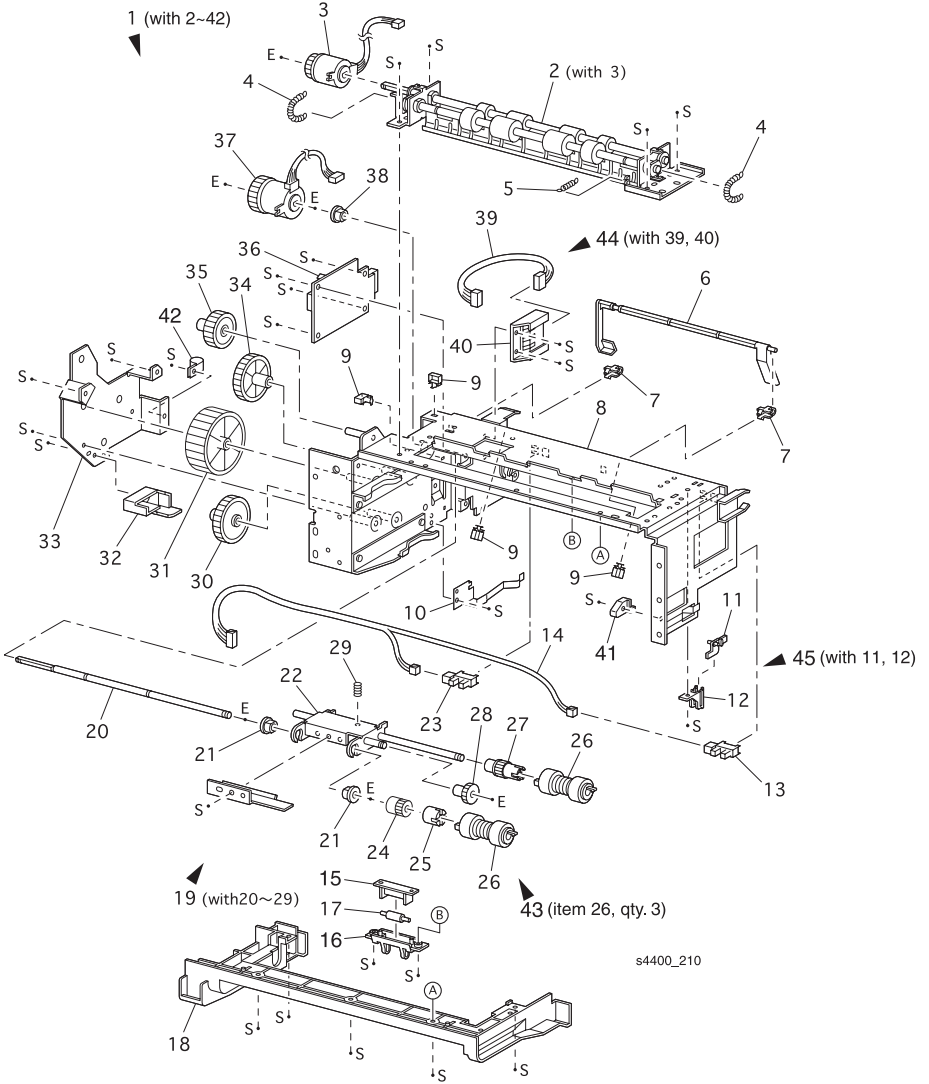
s4400_209

Optional Feeder 2

PL 11.2 550-Sheet Feeder (2 of 2)

Item	Part	Description	Item	Part	Description
1	22K56912	Feeder Assembly 2 Kit (with 2-42)	26	----	Roller Assembly (P/O item 43)
2	22K55001	Turn Roller Assembly (with 3)	27	----	Gear 25T
3	121K20151	Turn Clutch Assembly	28	----	Gear 31T
4	----	Spring Extension	29	809E11610	Nudger Spring
5	809E11630	Chute Spring	30	----	Gear 4
6	120E16960	No Paper Actuator	31	----	Gear 2
7	830E18132	Actuator Support	32	----	Gear Cover
8	----	Feeder Frame Assembly	33	----	Bracket
9	----	Clamp	34	----	Gear 3
10	----	Left Latch Spring	35	----	OPT Gear
11	----	Low Paper Actuator (P/O item 43)	36	160K52781	Feeder PWB
12	----	Low Paper Support Actuator (P/O item 43)	37	121K19010	Feed Clutch Assembly
13	130E81970	Low Paper Sensor	38	----	Bearing
14	162K47211	N/Sensor Harness Assembly	39	----	N/Motor Harness Assembly
15	----	Roller 7 Support	40	----	Socket
16	----	Turn Chute	41	----	Paper Tray Stopper
17	----	Roller 7	42	----	Clamp
18	----	Feeder Cover	43	600K79550	Feed Roller Kit (item 26-quantity 3)
19	600K79320	Feeder Assembly (with 20-28)	44	600K79640	Socket & Harness Kit (with 39, 40)
20	----	Feed Shaft	45	600K79652	Actuator & Support Kit (with 11, 12)
21	----	Bearing	S	600K79660	Hardware Kit (Includes Screw)
22	----	Nudger Support Assembly			
23	130E81970	Stack Height Sensor			
24	----	Gear Clutch			
25	----	O/W Clutch Assembly			

PL 11.2 550-Sheet Feeder (2 of 2) — Exploded View



Envelope Feeder 1

PL 12.1 Envelope Feeder (1 of 2)

Item	Part	Description
1	----	Envelope Feeder Assembly (with 2-24)
2	54E14453	Top Chute
3		Chute Plate
4	----	Sensor Harness Assembly
5	130K60390	Exit Sensor Assembly
6	----	Retard Holder
7	----	Retard Spring
8	----	Feeder Bearing
9	59E93940	Exit Pinch Roller
10	----	Pinch Roller Shaft
11	----	Pinch Cap
12	----	Pinch Spring
13	----	Torque 29 Clutch Assembly
14	600K79310	Retard Roller Assembly (with 15)
15	----	Retard Roller (P/O item 14)
16	31E93291	Weight Arm
17	----	Weight Cover
18	----	Weight Holder
19	----	Envelope Left Side Guide
20	----	Envelope Right Side Guide
21	----	Envelope Feeder Sub Assembly
22	----	Pinion Gear
23	----	Bottom Cover
24	----	Tray Extension
S	600K79660	Hardware Kit (Includes Screw)

Envelope Feeder 2

PL 12.2 Envelope Feeder (2 of 2)

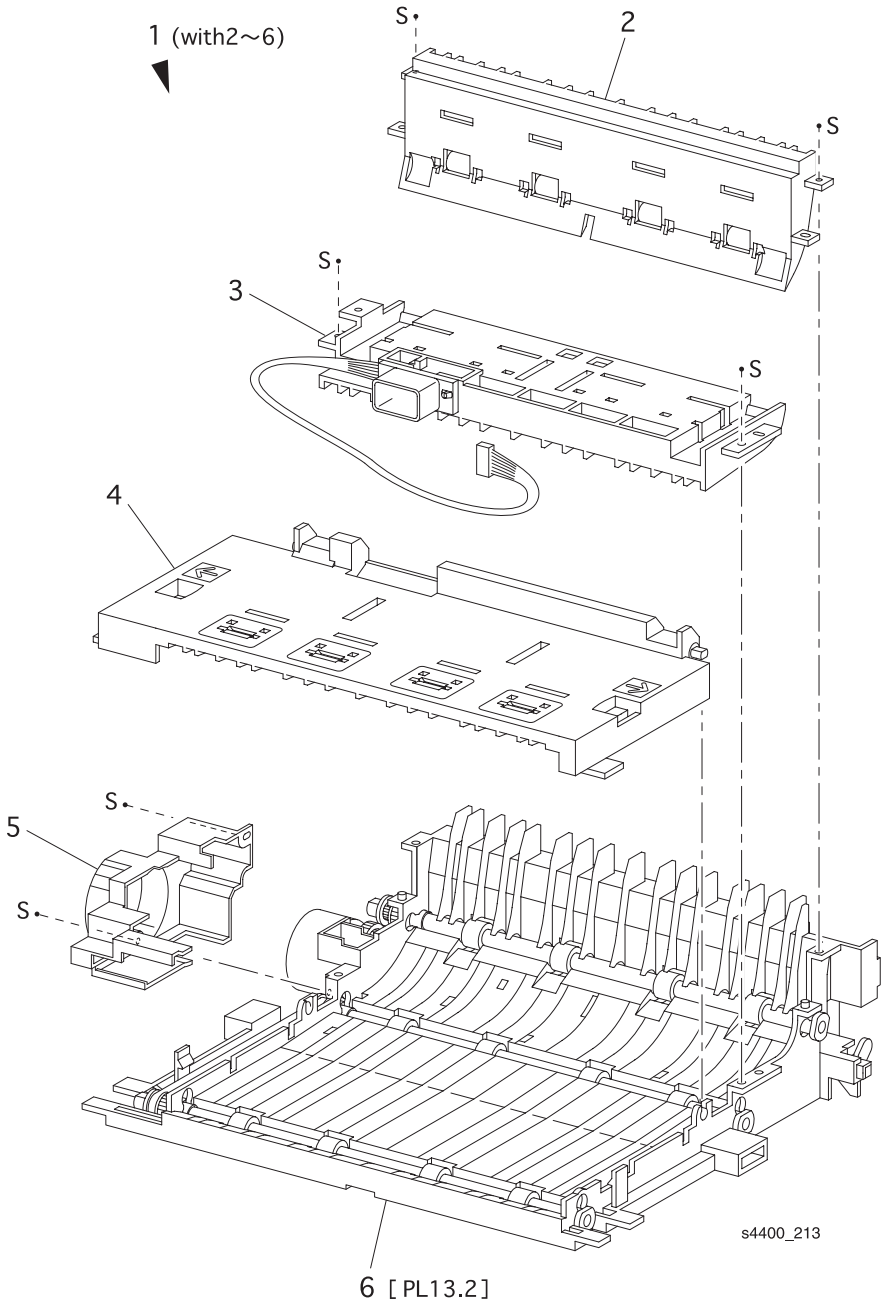
Item	Part	Description
1	----	Envelope Feeder Sub Assembly (with 2-31)
2	----	Gear Cover
3	7E27420	Gear 29
4	----	Gear Drive 21
5	7E36080	Gear 23
6	121K87180	Torque 25 Clutch Assembly
7	----	Feeder Bearing
8	7E28780	Idler 21 Gear
9	121K87201	One Way 26 Clutch Assembly
10	----	Elec Clutch Bearing
11	121K87190	Feed Clutch
12	6E47120	Clutch Shaft 17
13	121K87210	One Way Clutch Assembly
14	----	Transport Roller Assembly (with 16)
15	----	Transport Roller
16	----	Bottom Roller Assembly
17	----	Envelope Pinch Roller
18	----	Feed Belt
19	----	Main Chassis
20	----	No Paper Actuator
21	130E81970	No Paper Sensor
22	----	Feed Roller Assembly 1 (with 23)
23	----	Feeder Roller
24	----	Feed Roller Assembly 2 (with 23)
25	----	Envelope Connector
26	----	Main Harness Assembly
27	----	Clutch Harness Assembly
28	----	Envelope PWB
29	----	No Paper Harness Assembly
S	600K79660	Hardware Kit (Includes Screw)

Duplex 1

PL 13.1 Duplex (1 of 2)

Item	Part	Description
1	----	Duplex Assembly (with 2-6)
2	----	Turn Chute Assembly
3	----	Chute Assembly Connector
4	54K15061	Upper Chute Assembly
5	----	Duplex Drive Cover
6	----	Lower Duplex Chute Assembly
S	600K79660	Hardware Kit (Includes Screw)

PL 13.1 Duplex (1 of 2) — Exploded View



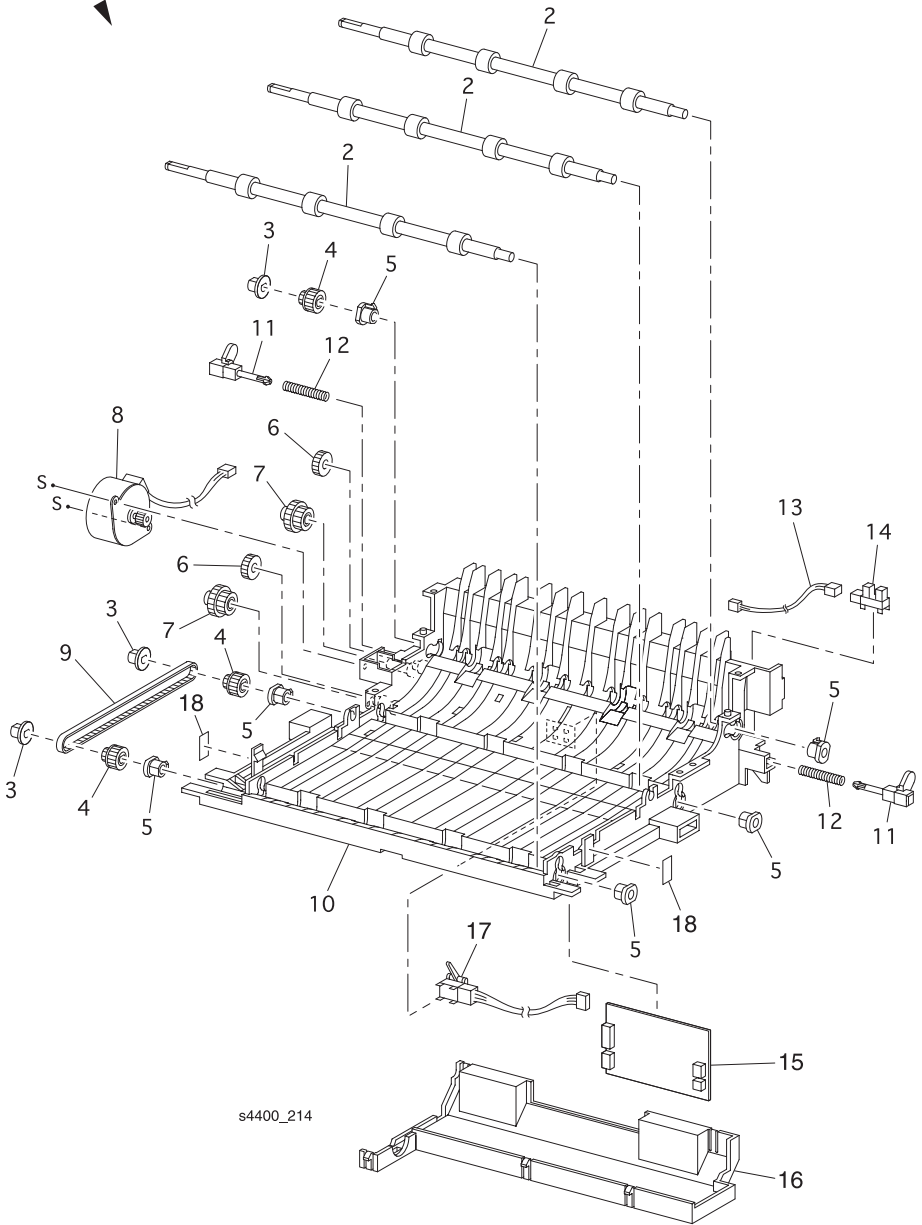
Duplex 2

PL 13.2 Duplex (2 of 2)

Item	Part	Description
1	----	Lower Duplex Chute Assembly (with 2-18)
2	59K12151	Duplex Roller Assembly
3	3E47580	Duplex Bearing
4	----	Duplex Gear 17/Pulley
5	----	Duplex Bearing
6	----	Duplex Gear 18
7	----	Duplex Gear 17/39
8	127K36520	Motor Assembly
9	423W15455	Synchronous Belt
10	----	Lower Duplex Chute
11	----	Duplex Latch
12	----	Duplex Latch Spring
13	----	Duplex Sensor Harness
14	130E81970	Duplex Home Sensor
15	160K53051	Duplex PWB
16	----	Duplex Cover
17	130K83310	Duplex Sensor
18	----	Duplex Handle Label
S	600K79660	Hardware Kit (Includes Screw)

PL 13.2 Duplex (2 of 2) — Exploded View

1 (with 2~18) [Same PL13.1.6]

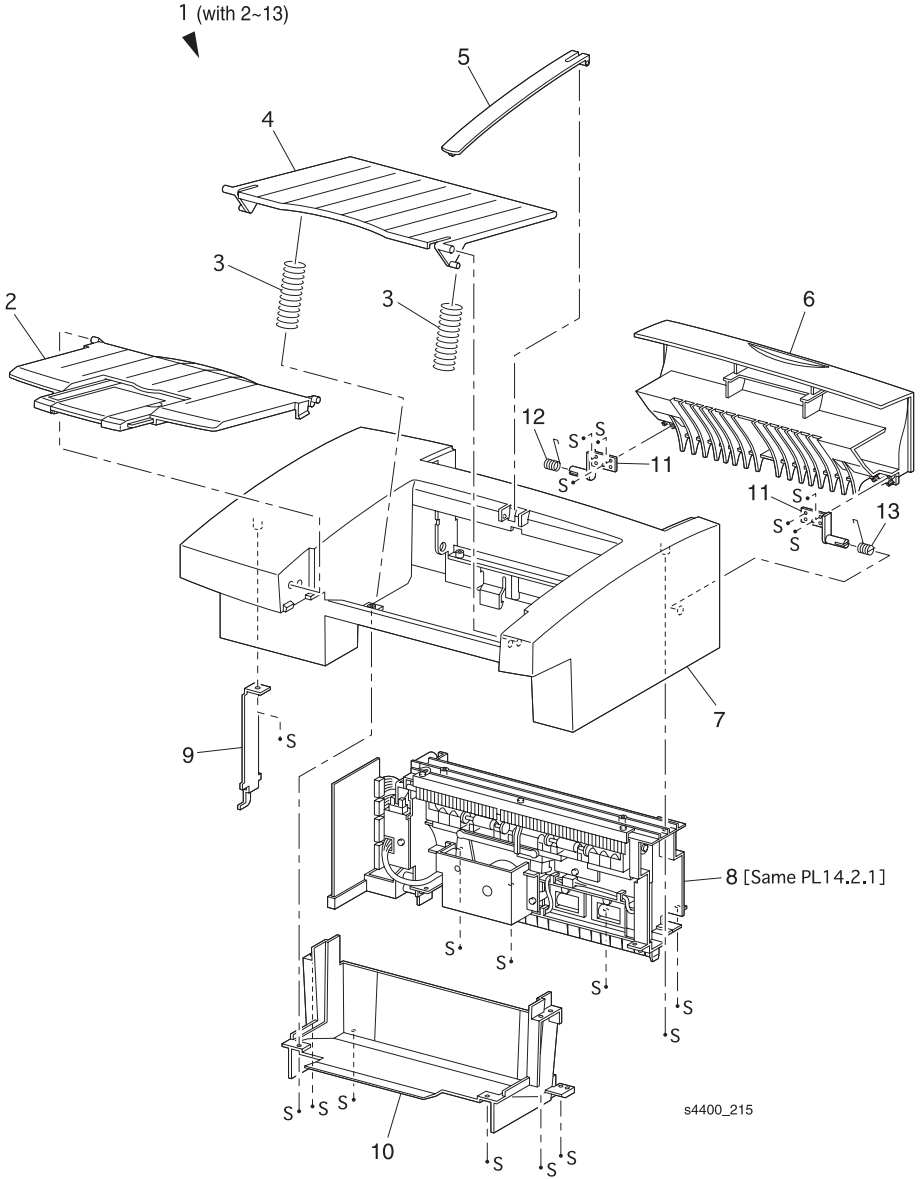


Stacker 1

PL 14.1 Stacker (1 of 2)

Item	Part	Description
1	----	Stacker Assembly (with 2-13)
2	50K38632	Exit Tray Assembly
3	----	Tray Spring
4	50E89161	Exit Tray
5	12E09550	Weight Link
6	802E02773	Rear Cover
7	802E02755	Stacker Cover
8	54K22380	Inner Exit Chute Assembly
9	----	Hook Cover
10	----	Lower Cover
11	----	Cover Hinge
12	----	Left Cover Spring
13	----	Right Cover Spring
S	600K79660	Hardware Kit (Includes Screw)

PL 14.1 Stacker (1 of 2) — Exploded View



Stacker 2

PL 14.2 Stacker (2 of 2)

Item	Part	Description	Item	Part	Description
1	54K22380	Inner Exit Chute Assembly (with 2-43)	26	----	Stacker Guide
2	----	Stacker Harness Assembly (J21-P202)	27	----	Stacker Holder
3	----	PWB Holder	28	----	Exit Shaft
4	160K88240	Stacker PWB	29	----	Mid Roller Assembly
5	----	Ground Plate	30	----	Stacker Pinch Roller
6	127K28640	Drive Motor Assembly	31	----	Mid Pinch Spring
7	----	Gear Exit 20	32	54E14431	Inner Exit Chute
8	----	Exit Bearing	33	802K05770	Offset Assembly (with 34-38)
9	----	Gear 27	34	----	Offset Motor Assembly
10	----	Gear 26	35	----	Offset Housing
11	----	Gear 47W	36	130E81970	Stacker Home Sensor
12	----	Gear Exit	37	----	Offset Lever
13	----	Static Eliminator	38	----	Core Gear
14	----	Gear Housing	39	----	Ferrite Core
15	121K20551	Direction Solenoid	40	----	Stacker Wire Assembly
16	11E09450	Solenoid Lever	41	----	Sensor Bracket
17	----	Solenoid Pin	42	----	Saddle Edge
18	130K84220	Exit Sensor Assembly	43	----	Exit Pinch Spring
19	120E17191	Stack Full Actuator	S	600K79660	Hardware Kit (Includes Screw)
20	130E81970	Stack Full Sensor			
21	----	Stacker Sensor Harness Assembly (J224-225, J226, J227, J228)			
22	----	Offset Roller Assembly (with 23-26, 43)			
23	----	Exit Roller Assembly			
24	----	Exit Pinch Roller			
25	----	Offset Bearing			

PL 14.2 Stacker (2 of 2) — Exploded View

