

4681FXI – Upgrading a Phaser 220e to a Phaser 220i

This instruction sheet provides the details for replacing a Phaser 220e's image processor board and I/O board with a 220i image processor board and I/O board. After installing the upgrade you must return the 220e image processor board and its I/O board to Tektronix.

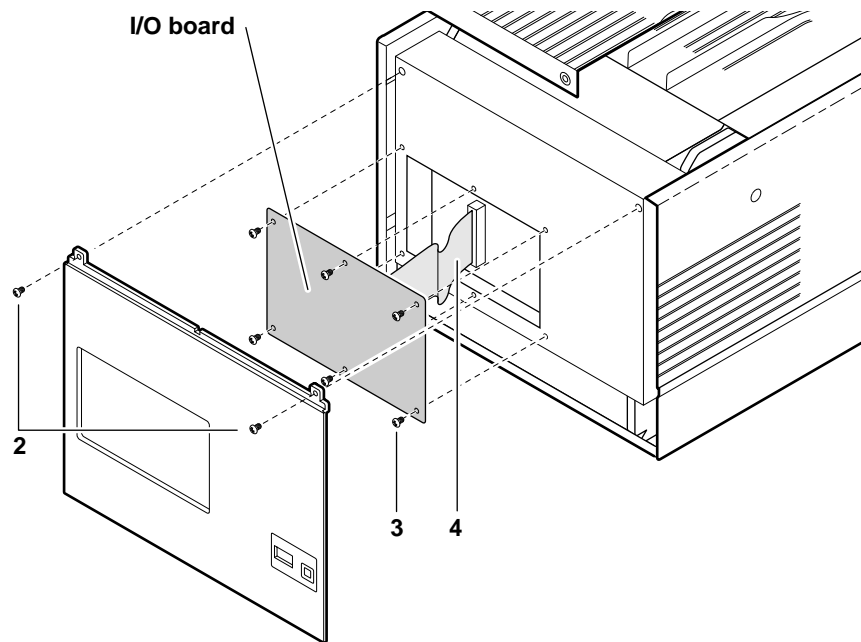
Tools required

- #1 POSIDRIV® screwdriver
- Antimstatic mat 006-7056-00

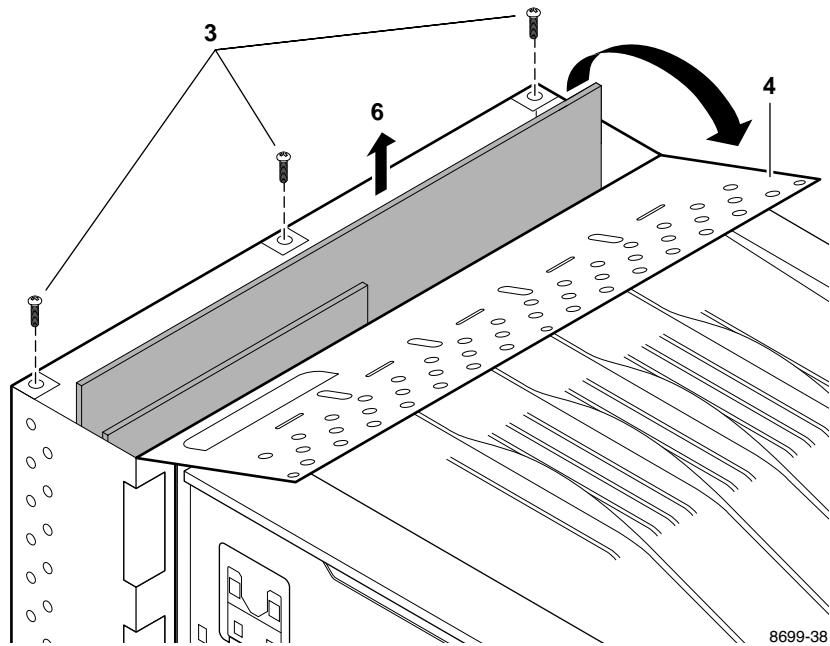
Static precautions

- Leave the printer plugged into its power outlet. This preserves a ground path for static discharges.
- Touch the printer's bare metal frame often to discharge static electricity from your body.
- Handle the circuit board(s) by their edges only.
- *Do not* lay the board(s) on a metal surface.
- Make the least possible movements to avoid generating static electricity.
- Avoid wearing nylon or polyester clothing; they generate static electricity.

1. Power down the printer. Leave the power cord plugged in to provide a ground path for static discharges. Remove the interface cables.
2. Remove the top-rear and rear plastic cabinet panels.
3. Remove the screws securing the I/O board (and its metal rear panel plate) to the card cage.
4. Disconnect the I/O board's ribbon cable. Remove and save the I/O board (and rear plate) to return to Tektronix.



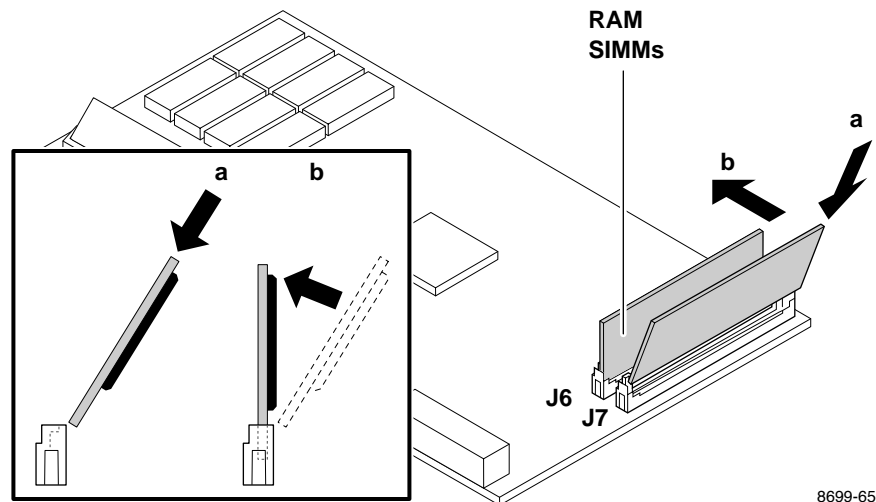
5. Remove the card cage top (3 screws).
6. Flip over the hinged card cage top.
7. Lift out the 220e image processor board. Save the board to return to Tektronix.



8. If installed, remove the RAM SIMM installed in J6 of the 220e image processor board.
9. If you removed a RAM SIMM from the 220e image processor board in Step 8, insert it in the 220i image processor board's connector J6 (or in J7 if J6 is already filled) **(a)**, and tilt the module upright until it locks in place **(b)**.

When properly inserted, a tab on each end of the connector slips into a hole on each end of the RAM SIMM. Also, a pawl on each end of the connector latches around each end of the RAM SIMM to lock it in place.

10. Repeat Step 9 to install an additional memory module in J7 if a second SIMM is available.



8699-65

11. Install the 220i image processor board in the card cage. Close and secure the card cage top.
12. Install the Phaser 220i's I/O board. Be sure to plug in its two I/O cables to the image processor board.
13. After you install this upgrade kit, be sure to affix the F-kit upgrade serial number sticker to the printer. Attach the sticker to the right of the existing printer serial number.
14. Close and secure the card cage top. Reinstall the rear cabinet panels.
15. Reconnect the host interface cables. Turn on the printer and make a print.

Return the 220e image processor and I/O boards to Tektronix

1. Pack the 220e image processor board in the antistatic bag that the 220i image processor board was shipped in.
2. Place the packed image processor board inside the shipping box.
1. Pack the old I/O board in the antistatic bag the that new I/O board was shipped in.
2. Place the packed I/O board inside the shipping box.
3. Mail the package to Tektronix:

Mailing in the USA:

- Write the printer's serial number on the U.S.A shipping return label that was included with the upgrade kit.
- Attach the self-adhesive shipping label to the box.
- Secure the box closed with heavy-duty shipping tape and mail to the pre-addressed location. Postage is prepaid.

Mailing outside the USA:

- Write the printer's serial number on the international shipping return label that was included with the upgrade kit.
- Attached the self-adhesive shipping label to the box.
- Write the printer's serial number on the international shipping return label.
- Secure the box closed with heavy-duty shipping tape and ship the box to Tektronix using your respective country's shipping method.