

24

Maintenance

Cleaning procedures

This section contains the recommended cleaning procedures for the Xerox Phaser 790.

Cleaning the covers

The covers do not require cleaning. However, if you wish to clean the outside covers, perform the following procedure.



WARNING

Always switch off the power and disconnect the power cord from the wall outlet in order to avoid an electrical shock when cleaning the Phaser 790.

1. Moisten a clean cloth and wipe any stains from the covers.
2. Wipe dry with a clean dry cloth.
3. If the stains are still present, moisten a clean cloth with a solution of a synthetic detergent.
4. Wipe dry with a clean dry cloth.



CAUTION

DO NOT spray cleaning liquid or water directly onto the Printer.

NEVER use any cleaner other than a synthetic detergent.

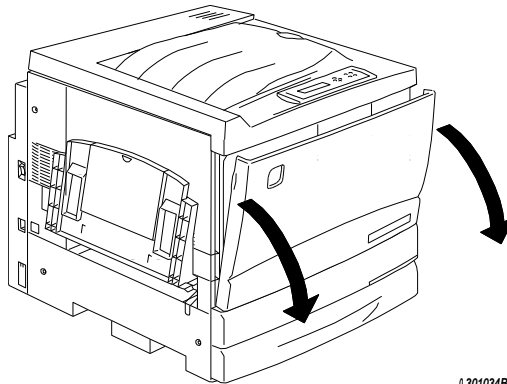
DO NOT clean the interior of the Printer.

NEVER attempt to lubricate the Printer.

Replacing the Dry Ink Cartridges

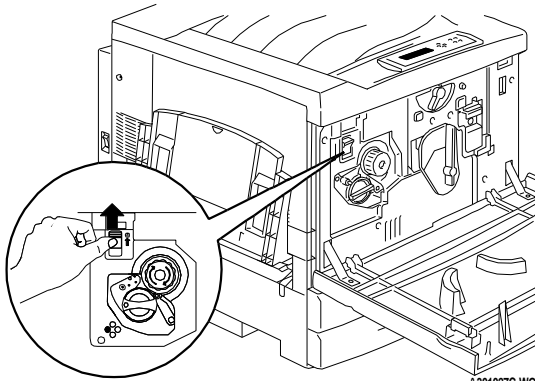
Use this procedure when you are referred here from the *Problem Solving* chapter, or when a message to install a Dry Ink Cartridge is displayed on the Control Panel.

1. Open the Front Cover.



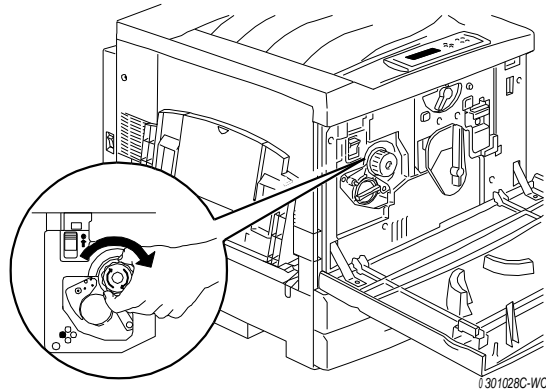
0 301034B-WOL

2. If the cartridge to be replace is not visible in the opening perform the following steps:
 - a. Press the **Anti-rotation button**.



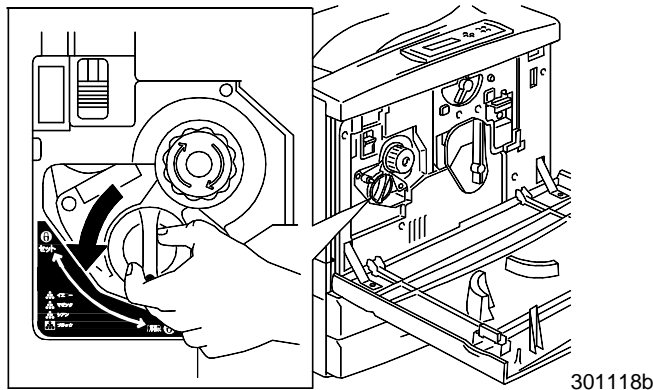
0 301027C-WOL

- b. Turn the **knob** in the direction of the arrow until it stops.



- c. Repeat the steps until the desired cartridge is visible in the opening.

3. With the desired cartridge visible in the opening, turn the cartridge in the direction of the arrow until the **dot** is aligned with the **Unlock** symbol.



4. Pull the Dry Ink Cartridge out of the Printer and recycle according to the instructions included in the box.

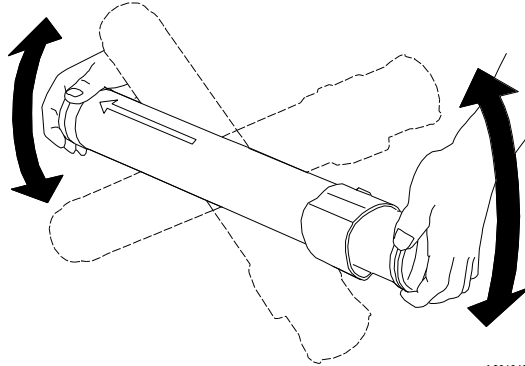


WARNING

DO NOT attempt to use old cartridges, as they could cause print quality problems.

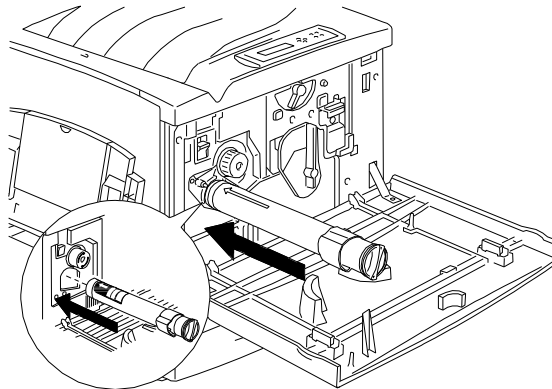
NEVER dispose of old dry ink cartridges in an open flame. Dry Ink is flammable and could explode, causing burns and other injuries.

5. Remove the new Dry Ink Cartridge from the box and shake it seven or eight times as shown.



© 301040A-WOL

6. Ensure that the arrow on the cartridge can be seen on the top, and insert the cartridge into the Printer as far as it will go.

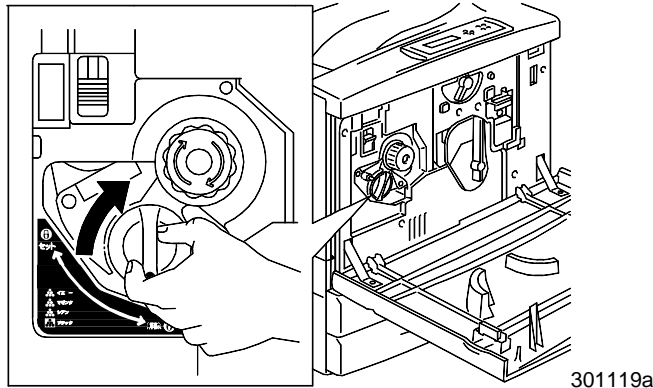


301041c

**CAUTION**

If the cartridge is not all the way into the Printer, the knob cannot be turned to the next position.

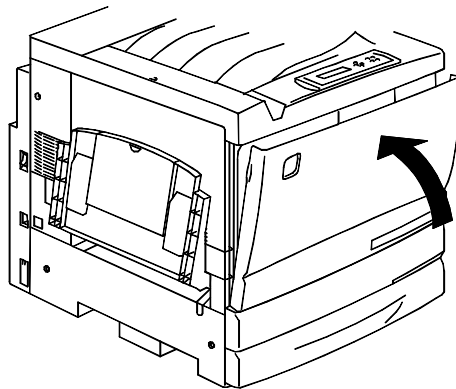
7. Turn the Dry Ink Cartridge in the direction of the arrow until the **dot** is aligned with the **Lock** symbol.



CAUTION

If the cartridge is not securely locked into place, dry ink will spill into the Printer.

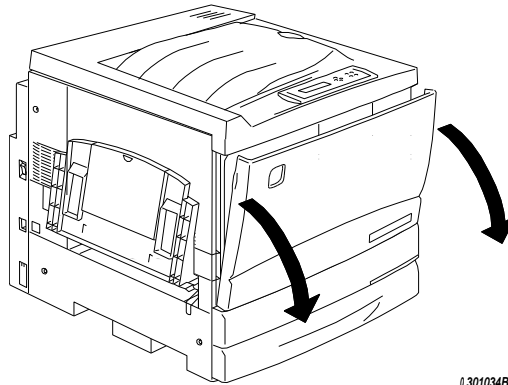
8. To ensure that the cartridge is installed correctly, press the **Anti-Rotation button** and turn the **knob** until it stops.
If the knob can be rotated to the next cartridge, you have successfully installed the new cartridge.
9. If required, repeat the procedure for any other Dry Ink Cartridges that need replacing.
10. When all the Dry Ink Cartridge replacements have been completed, close the Front Cover.



Replacing the Copy/Print Cartridge

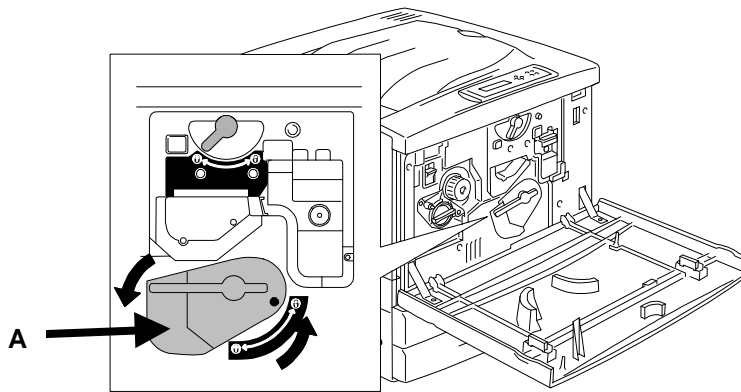
Use this procedure when you are referred here from the *Problem Solving* chapter, or when a message to change the Copy/Print Cartridge is displayed on the Control Panel.

1. Place several sheets of used paper on the floor in order to protect the floor from the old Copy/Print Cartridge.
2. Open the Front Cover.



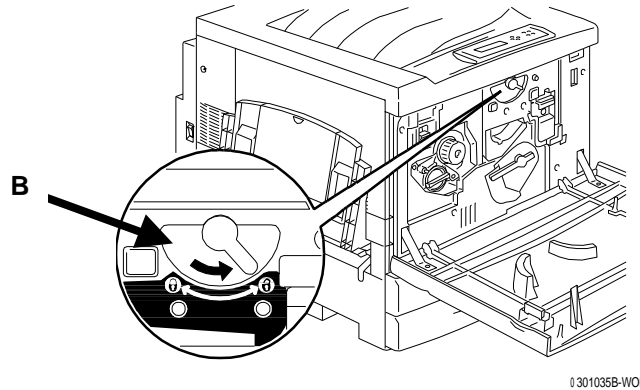
© 301034B-WOL

3. Rotate the yellow lever **A** in the direction of the arrow, until the **dot** is aligned with the **Unlocked** symbol.

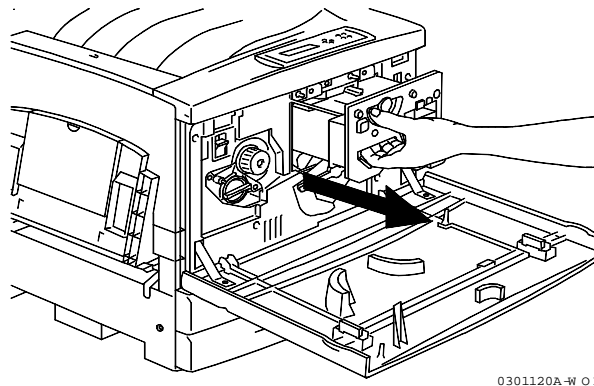


301044

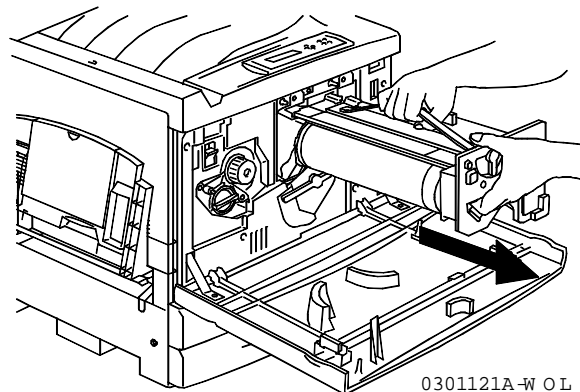
- Rotate the yellow lever **B** in the direction of the arrow, until the **dot** is aligned with the **Unlocked** symbol.



- Place your fingers into the **opening** on the front of the Copy/Print Cartridge and pull it slowly toward you. **DO NOT** remove it from the Printer at this time.



- Grasping the **handle**, remove the cartridge from the Printer. Ensure that the cartridge remains level.

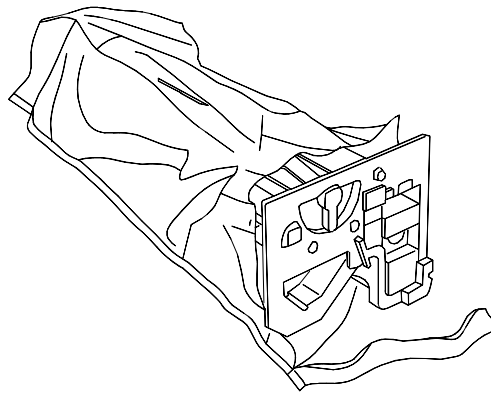


7. Place the Copy/Print Cartridge on several sheets of used paper.

**WARNING**

NEVER dispose of a used Copy/Print Cartridge in an open flame. Dry Ink could explode and cause burns.

8. Install the Copy/Print Cartridge:
 - a. Remove the Copy/Print Cartridge from the box.
 - b. Tear open the notched end of the silver protective bag and remove the cartridge.

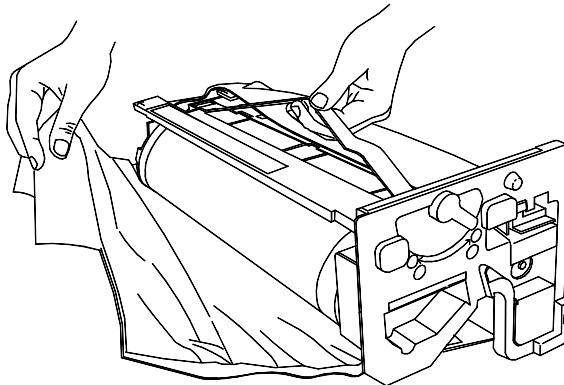


301081b

**CAUTION**

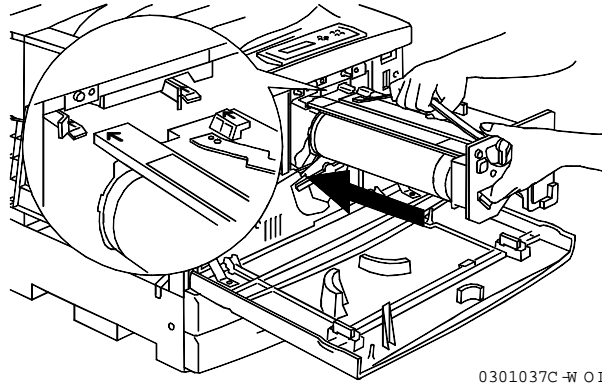
DO NOT touch the blue surface of the drum. If the drum is scratched, or contaminated with oil from your hand, the output can be degraded.

- c. Hold the cartridge by the **handle**. While keeping the cartridge level, remove the protective foam wrap.

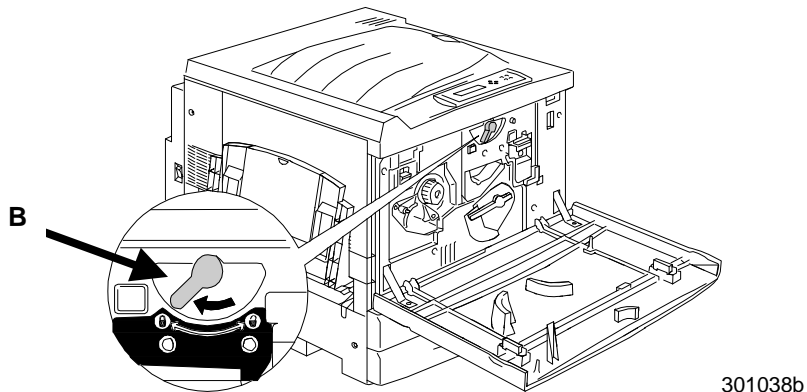


301036c

9. Holding the cartridge by the **handle**, align the guide with the Printer **rail**.

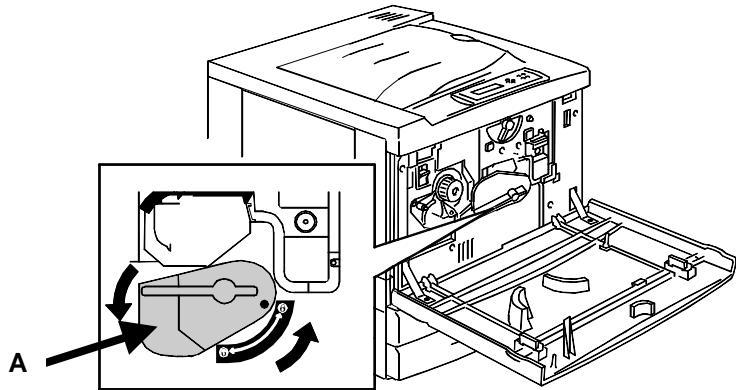


10. Push the cartridge all the way into the Printer until it latches into place.
11. Rotate lever **B** in the direction of the arrow until the dot is aligned with the **Locked** symbol.



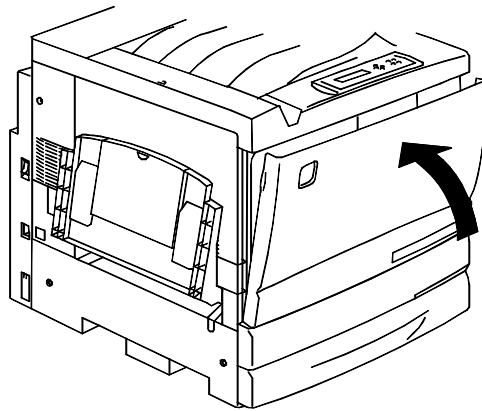
If lever B will not move to the Locked position, ensure that the cartridge is all the way into the Printer.

12. Rotate lever **A** in the direction of the arrow until the **dot** is aligned with the **Locked** symbol.



301039b

13. Close the Front Cover and switch ON the power.

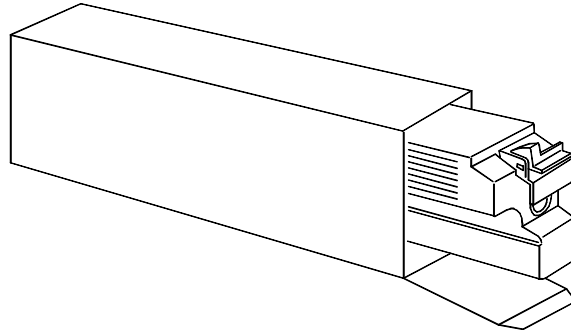


301077b

Dry Ink Waste Container

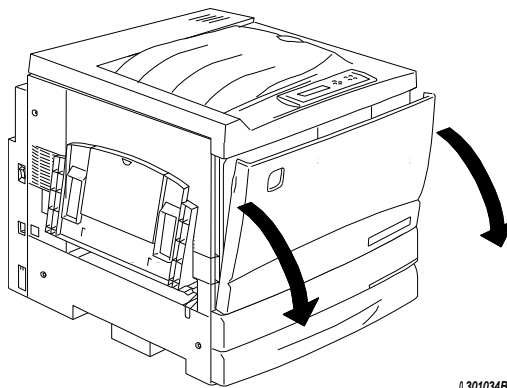
Perform this procedure when the message **Waste Container Full** is displayed on the Printer Control Panel.

1. Remove a new Dry Ink Waste Container from the box, and save the box.



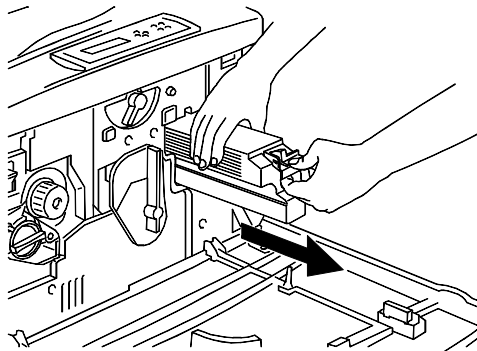
0301122A-W O L

2. Open the Printer Front Cover.



0301034B-WOL

3. Grasp the Waste Container handle, and pinch and hold the lever as shown below.
4. Keeping the container level, pull it out of the Printer.



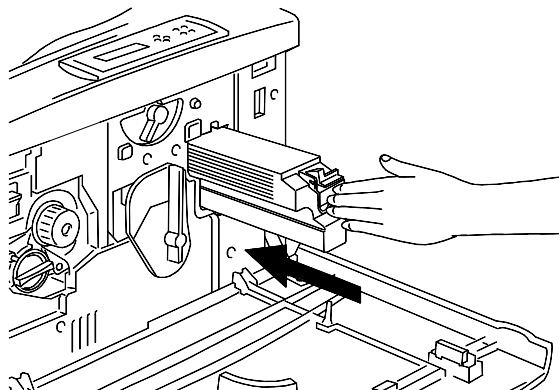
0301123A-W O L

5. Place the used container in the box and discard.

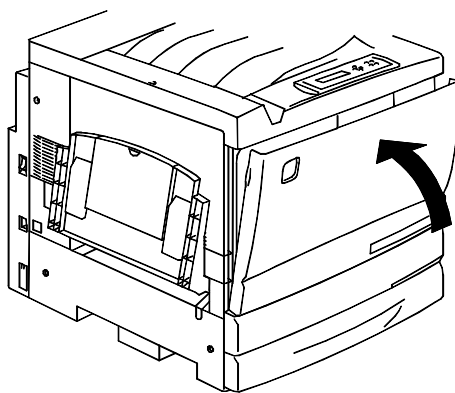
**WARNING**

DO NOT dispose of used Waste Containers in an open flame. Used Dry Ink could explode and cause burns.

6. Push the new Waste Container into the Printer until it clicks into place.



7. Close the Front Cover.



301077b

Storing the supplies

Dry Ink Cartridges

- Store the Dry Ink Cartridges away from direct sunlight in the following environment:
 - Temperature = 3 to 35° Celsius
 - Humidity = 15 to 80% relative humidity, with no condensation
- Avoid hot and humid locations
- Avoid magnetic fields, such as computer screens and disk drives
- Keep out of the reach of children

Handling precautions



WARNING

Never dispose of the used Dry Ink cartridges in an open flame. The Dry Ink could explode and cause burns or other injuries.

- **Do not** attempt to reuse the Dry Ink Cartridges.
- **Do not** shake or hit used Dry Ink Cartridges.
- Wash immediately with cold water if Dry Ink comes in contact with your skin.
- If Dry Ink is found on your clothing, vacuum or brush away lightly.
- Use the approved Dry Ink only.
- If moving Dry Ink from a cold area to a warm area, allow at least one hour for the cartridge temperature to equalize. If condensation occurs, wait for 12 hours before installing the cartridge in the Printer.

Copy/Print Cartridge

The Copy/Print Cartridge includes a light sensitive drum, a drum cleaner, and the Dry Ink Waste Container.

- Always store the Copy/Print Cartridge in the carton.
- Store the Copy/Print Cartridge away from direct sunlight, in the following environment:
 - Temperature = 3 to 35° Celsius
 - Humidity = 15 to 80% relative humidity, with no condensation
- Avoid hot and humid locations
- Avoid magnetic fields, such as computer screens and disk drives
- Keep out of the reach of children
- Keep the cartridge level, **do not** store on end.

Handling precautions

- **Never** touch the blue surface of the drum. **Never** hit or rub the drum surface. If scratched or contaminated with oil from your hand, printing will be degraded.
- **Do not** allow direct sunlight to strike the drum surface.
- **Do not** attempt to reuse the Dry Ink collected in the waste container.
- **Always** keep the Copy/Print Cartridge level.
- **Do not** shake or tilt a used cartridge.